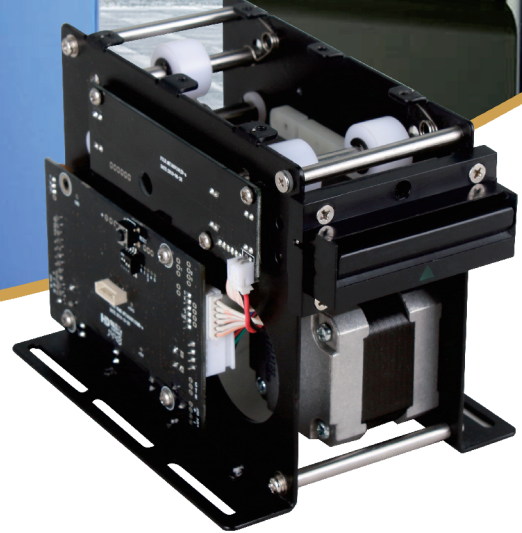


# MT163

## CARD COLLECTORS

### 收卡机



## Overview

### 产品概述

MT163增强型收卡器采用大规模集成电路配合可靠结构设计而成,该产品专为自动收卡设计,具有高速度、高稳定性、高可靠性的特点,可广泛应用于停车场管理系统、自动售卡机、售票机、高速公路发卡系统、集中发卡、收卡设备等场合。

Based on reliable structure design and massive integrated circuit, MT163 specially supports automatic card collecting which function controlled card collecting and RF card operation. Transmitting power by stepper motor, properties with high speed, high stability, highly reliability and long working lifetime, MT163 can be widely used in parking management systems, automatic card vending machines, ticket vending machines, highway card dispenser systems, centralized card dispensing & collecting and other applications.

## Features

### 产品特点

- 结构紧凑、安全性高、稳定性好
- 支持符合ISO14443 Type A和Type B标准的非接IC卡的操作(可选)
- 支持符合ISO14443标准的S50和S70(Mifare)卡的操作(可选)
- 采用步进电机传动,寿命超过200万次
- 前端常闭门设计,有效防灰尘和雨水
- 配多型号插卡口
- 多种通信方式,可根据客户需求定制
- Compact, with high reliability and durability
- Support contactless IC card (ISO14443 TYPE A & B)-optional
- Support S50 & S70 (Mifare) card (ISO14443)-optional
- With stepper motors and lifetime over 2,000,000 cycles.
- Designed with shutter, dust and water proof
- With multi bezel (optional)
- Various corresponding and custom design



# MT163



## Applications

### 应用

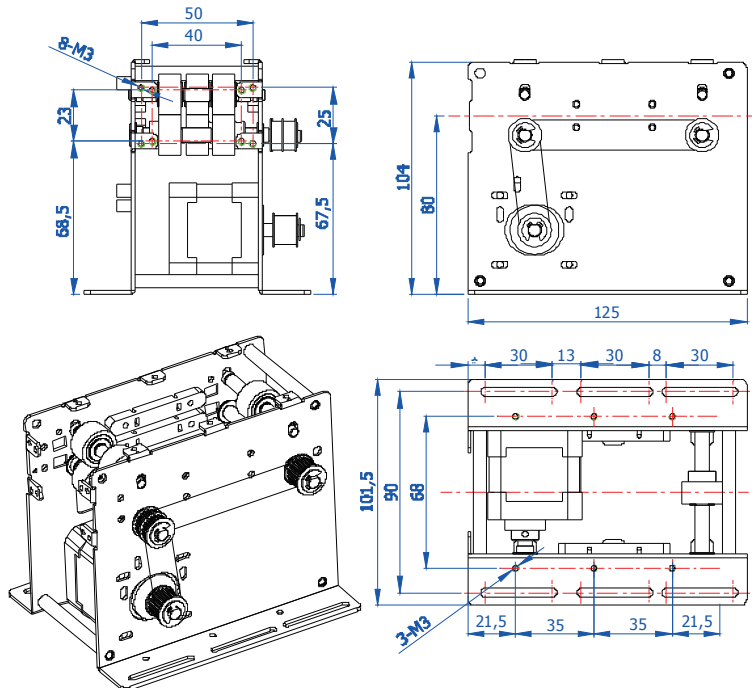
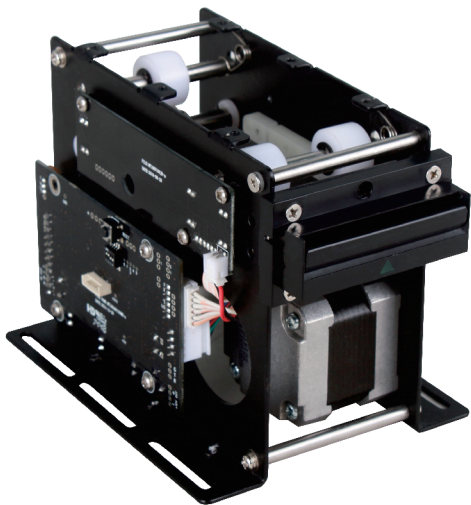
自助终端机 / 加油机 / 加气机 / 停车场系统 / 自助售票机 / 自动售货机

Kiosk Terminals / Fuel Dispensers / CNG Dispensers / Parking Systems / Ticketing Machines / Vending Machines

## Specifications

### 性能指标

支持卡类型 / Card Type	非接触式IC卡(可选) / Contactless IC Cards(Optional)	
卡片规格 / Card Specifications	尺寸 / Size: 54x86mm 厚度 / Thickness: 0.3-2.0mm	
非接触式卡(可选) Contactless IC Card (Optional)	ISO14443 Type A & B & Mifare	读/写(可选) / R/W(Optional)
发卡速率 / Card Dispensing Speed	>1张/秒 / >1pc/s	
使用寿命 / Lifetime	>200万次 / >2000000 Cycles	
接口 / Interface	RS232, I/O, TTL	
工作电压 / Power Supply	DC24V±5%	
工作电流 / Current	最大电流 / Max Current: 2A(24V)	
工作温度 / Working Temperature	-40+65°C	
重量 / Weight	约825g / Approx 825g	
备注 / Remark	带档门及多种卡嘴(可选) With Sutter & Multi Bezel(Optional)	



深圳市铭特科技有限公司  
SHENZHEN MINGTE TECH CO., LTD.

地址: 深圳市南山区高新园北区航天微电机大厦科研楼四楼南侧  
邮编: 518057  
电话: +86-755-86030926(国内销售部)  
传真: +86-755-86030955  
邮箱: sales@mingte.cn  
网址: www.mingtetech.com

Add: 4/F, Aerospace Micromotor Building, High-tech Industrial Park  
North, Nanshan District, Shenzhen, China  
Postcode: 518057  
Tel: +86-755-86232730(Sales Dept.)  
Fax: +86-755-86030955  
E-mail: sales@mingte.cn  
Website: www.mingtetech.com

