

MT166

CARD COLLECTORS & DISPENSERS

收发卡机



Overview

产品概述

MT166 发(收)卡器采用大规模集成电路配合可靠结构设计而成,该产品专为自动发卡(收卡)设计,本款发卡器具有受控的发卡、回收卡功能、支持射频卡操作(可选),使用步进电机提供传动动力,具有高速度、高稳定性、高可靠性、长寿命的特点,可广泛应用于停车场管理系统、自动售卡机、售票机、高速公路发卡系统、集中发卡、收卡设备等场合。

Based on reliable structure design and massive integrated circuit, MT166 specially supports automatic card dispensing (collecting) which function controlled card dispensing & collecting and RF card operation. Transmitting power by stepper motor, properties with high speed, high stability, highly reliability and long working lifetime, MT166 can be widely used in parking management systems, automatic card vending machines, ticket vending machines, highway card dispenser systems, centralized card dispensing & collecting and other applications.

Features

产品特点

- 结构紧凑、安全性高、稳定性好
- 支持符合ISO14443 Type A和Type B标准的非接IC卡读写(可选)
- 支持符合ISO14443标准的S50和S70(Mifare)卡的操作(可选)
- 采用2个步进电机传动,寿命超过200万次
- 前端常闭门设计,有效防灰尘和雨水
- 卡片厚度可调节
- 储卡箱(可扩展)装载量 180 pcs/(卡厚: 0.8mm)
- 错误卡回收功能,卡少提醒功能
- 配多型号插卡口
- 多种通信方式,可根据客户需求定制
- Compact, high reliability and durability
- Support contactless IC card (ISO14443 TYPE A & B)-optional
- Support S50 & S70 (Mifare) card (ISO14443)-optional
- With two stepper motors and lifetime over 2 million cycles.
- Designed with shutter, dust and water proof
- Adjustable card thickness & dispensing speed
- Extension stackable cards hopper capacity: 180pcs (card thickness: 0.8mm)
- With error card recycling and card-low indication
- With multi bezel (optional)
- Various corresponding and custom design





MT166



Applications

应用

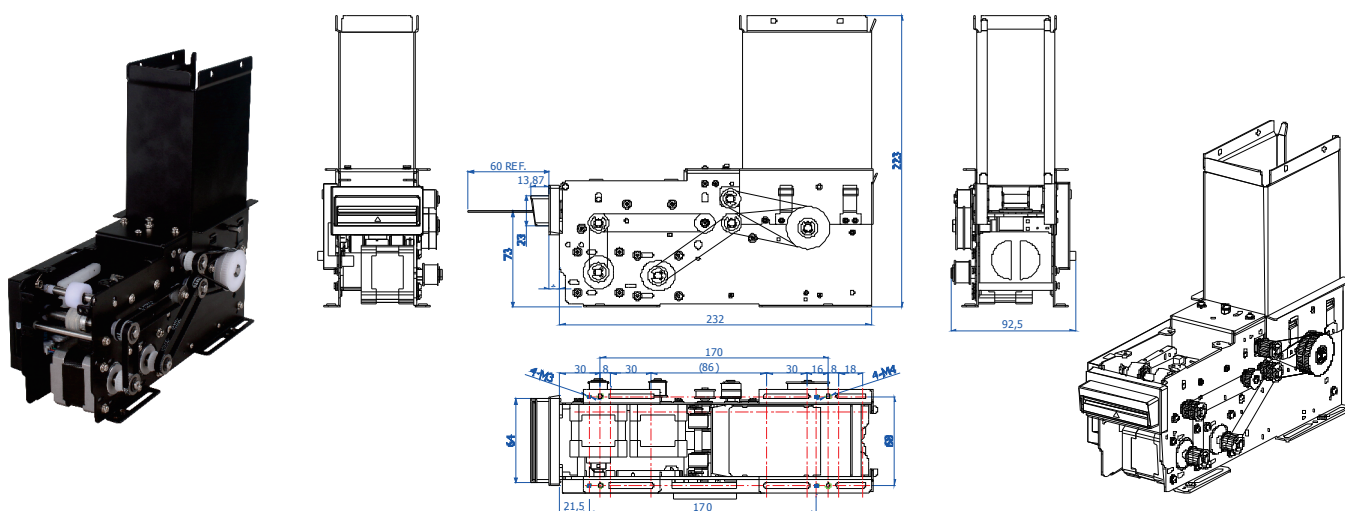
自助终端机 / 加油机 / 加气机 / 停车场系统 / 自助售票机 / 自动售货机

Kiosk Terminals / Fuel Dispensers / CNG Dispensers / Parking Systems / Ticketing Machines / Vending Machines

Specifications

性能指标

支持卡类型 / Card Type	非接触式IC卡(可选) / Contactless IC Cards(Optional)	
卡片规格 / Card Specifications	尺寸 / Size: 54x86mm 厚度 / Thickness: 0.3-2.0mm	
非接触式卡(可选) Contactless IC Card (Optional)	ISO14443 Type A & B & Mifare	读/写(可选) / R/W(Optional)
发卡速率 / Card Dispensing Speed	>1张/秒 / >1pc/s	
回收箱容量 Card Recycling Hopper Capacity	>25张 / 25pcs	
卡箱容量 / Card Hopper Capacity	180张 / 180pcs	
使用寿命 / Lifetime	>200万次 >2000000 Cycles	
接口 / Interface	RS232, I/O, TTL	
工作电压 / Power Supply	DC24V ± 5%	
工作电流 / Current	最大电流 / Max Current: 2A(24V)	
工作温度 / Working Temperature	-40~+65°C	
重量 / Weight	约2120g / Approx 2120g	
备注 / Remark	带档门及多种卡嘴(可选) With Sutter & Multi Bezel(Optional)	



深圳市铭特科技有限公司
SHENZHEN MINGTE TECH CO., LTD.

地址: 深圳市南山区高新园北区航天微电机大厦科研楼四楼南侧
邮编: 518057
电话: +86-755-86030926(国内销售部)
传真: +86-755-86030955
邮箱: sales@mingte.cn
网址: www.mingtetech.com

Add: 4/F, Aerospace Micromotor Building, High-tech Industrial Park
North, Nanshan District, Shenzhen, China
Postcode: 518057
Tel: +86-755-86232730(Sales Dept.)
Fax: +86-755-86030955
E-mail: sales@mingte.cn
Website: www.mingtetech.com

